

# USER MANUAL



Thank you for choosing Better Bathrooms.  
Please read this manual before installing your product  
and keep for future reference.

**better  
bathrooms**

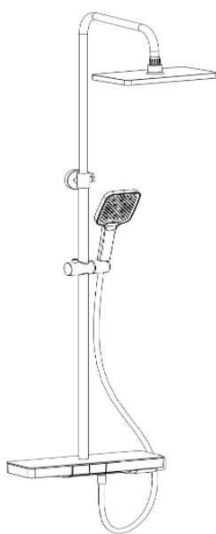
**Product name: Mika Exposed Push Button Shower With Shelf**

**Product code/s :**

**CHSHELFSH - Chrome Exposed Push Button Shower With Shelf - Mika**

**MBSHELFSH -Matt Black Exposed Push Button Shower With Shelf - Mika**

**BBSHELFSH - Brushed Brass Exposed Push Button Shower With Shelf - Mika**



- **Multi or Single-person assembly**
- **Tools required**
- **We always recommend using professional tradespeople to install your product**

V1\_05.06.2024

# Congratulations on your purchase

*And welcome to our growing gang of savvy shoppers*

We're on a mission to bring you extraordinary bathroom products, for less. From modern to traditional style ceramics, plus the gorgeous fixtures, fittings and furniture to match. So, you can fall in love with your space every single day.

As one of the UK's largest independent bathroom stores, we've received countless awards; including the National Business Awards UK, the Digital Entrepreneur Awards and being placed on The Sunday Times Fast Track 100.

We hope your new product goes above and beyond your expectations. However, should any problems occur, please:

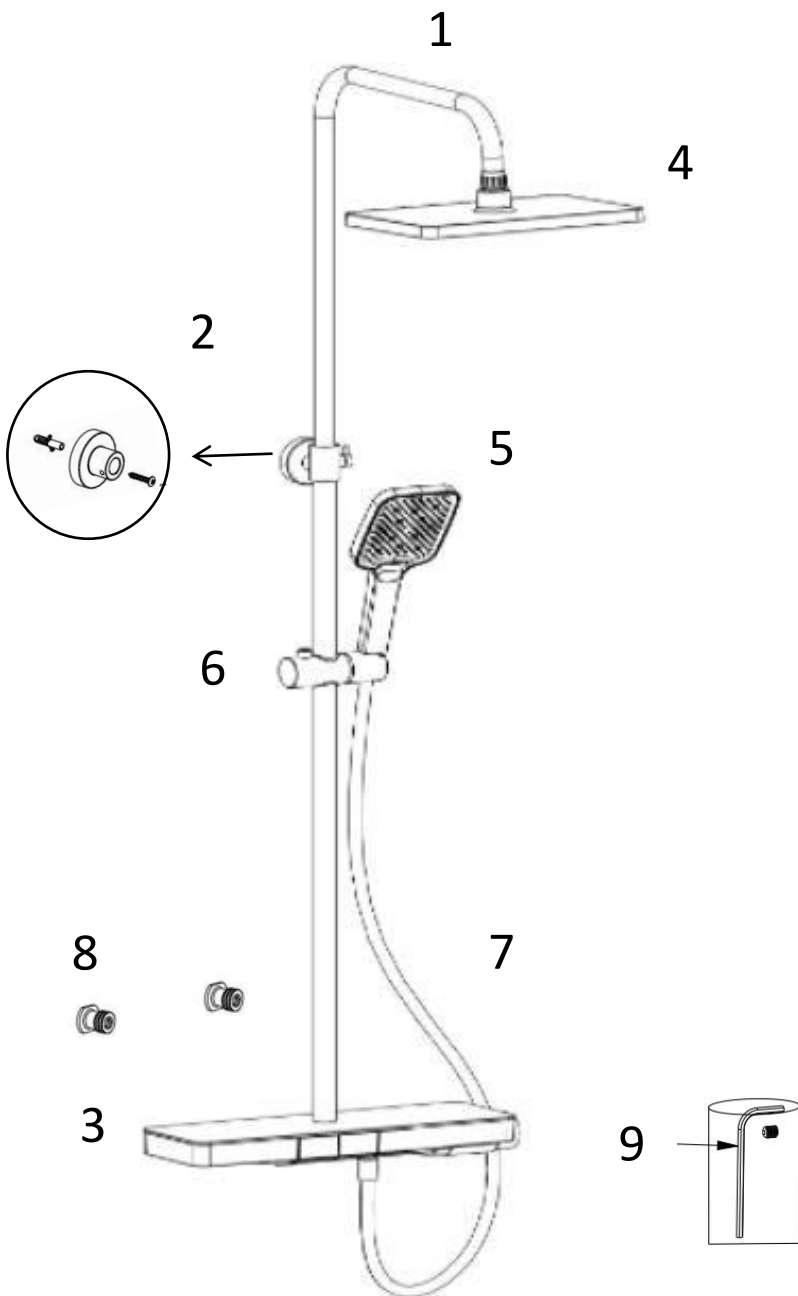
- log in to your account and contact our customer services team via your self-serve portal – [betterbathrooms.com/CustomerAccount/Login](https://betterbathrooms.com/CustomerAccount/Login)
- contact us via [betterbathrooms.com/content/contact-us](https://betterbathrooms.com/content/contact-us)

## Important information

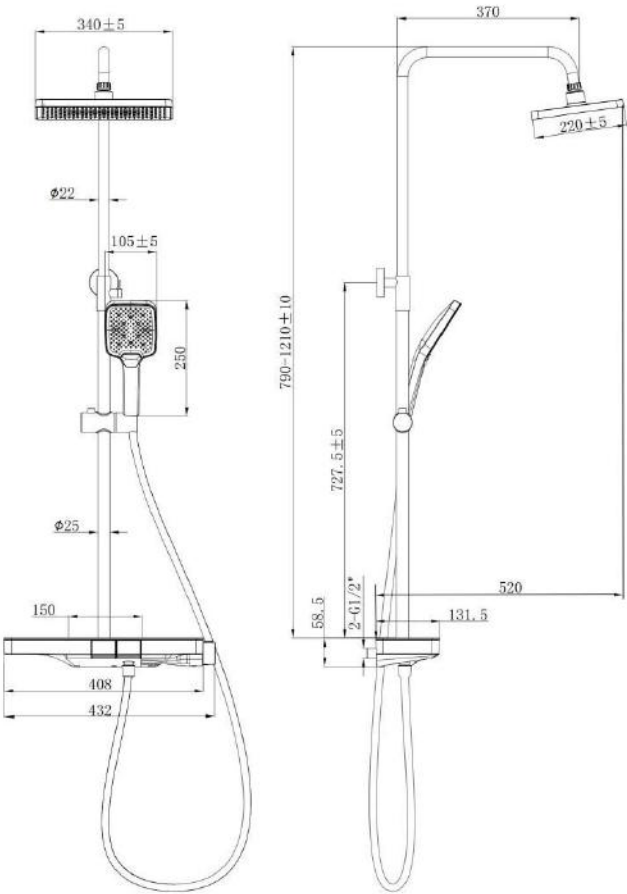
- Please read these instructions thoroughly and retain for future reference
- Pressures should meet minimum stated on the website
- Pressures must be balanced for optimum performance
- Always check for pipes and cables before drilling

# Contents

- 1. Telescopic tube
- 2. Wall Bracket ( Wall anchor and screw included)
- 3. Thermostatic shelf shower valve
- 4. Top shower
- 5. Hand shower
- 6. Hand shower holder
- 7. Shower hose
- 8. Connection couplings
- 9. Spare parts ( Allen key and screw for shower valve )



# Parts / Diagrams



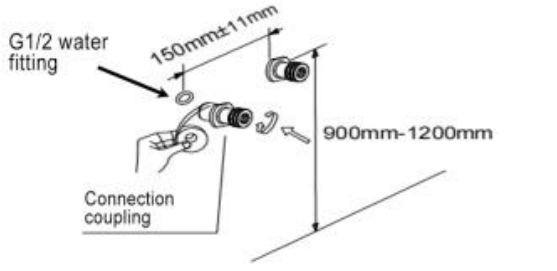
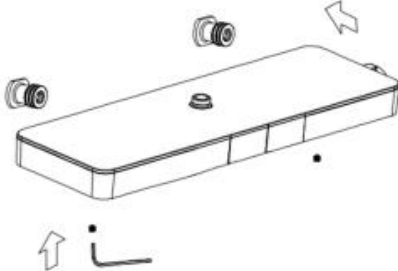

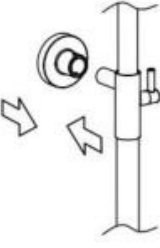
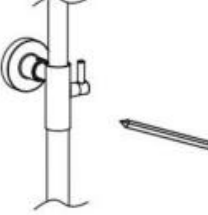
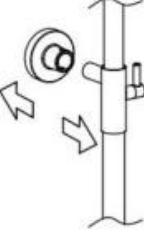
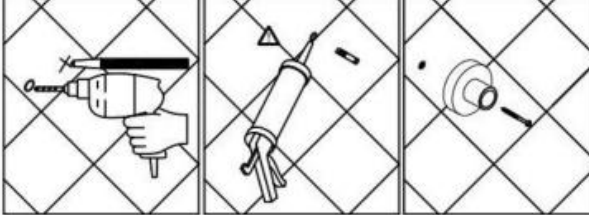
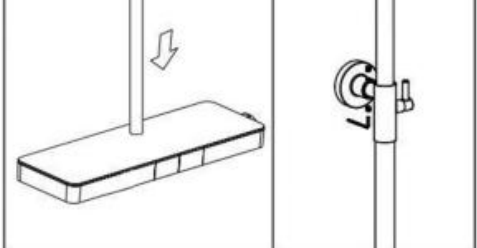
## Tools required

Installation requires a screwdriver, an adjustable wrench and adjustable pliers

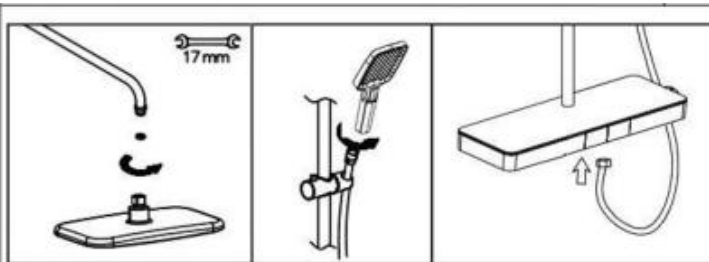




# Installation

 <p><b>Step 1</b> As shown, install the accessories and attach the tape.</p>	 <p><b>Step 2</b> Loosen and take out the screws on the bottom of the shower valve. Install the shower valve and tighten the screws back.</p>
 <p><b>Step 3</b> Install the riser in the shower valve. Turn left to tighten up.</p>	 <p><b>Step 4</b> Install the wall bracket on the shower arm.</p>
 <p><b>Step 5</b> Make sure the riser is vertical, mark the position of the screw holes.</p>	 <p><b>Step 6</b> Remove the riser and the wall bracket.</p>
 <p><b>Step 7</b> Drill the screw holes and install the anchors. Install the wall bracket by fastening the screws.</p>	 <p><b>Step 8</b> Install the riser on the shower valve, tighten the screw.</p>

# Installation



## Step 9

Inspect and check if the rubber washer is fitted in the ball-joint of shower head, and nuts of shower hose. Install the shower head and ensure it is fully tightened. Connect the shower hose with the hand shower and shower valve .

# Operation

- Push the button to activate the shower head or hand shower.
- The temperature is controlled by rotating the left handle. To obtain a higher mixed water temperature, press the override button and rotate handle to a maximum of 70 degrees. For a cooler shower than 38 degrees, rotate handle in the opposite direction.

# Troubleshooting

Description	Cause	Solution
1. Insufficient water of the shower head and hand shower	1a. Debris or limescale build up or blockage in supply	1. Remove and clean, rubbing the nozzles with a soft brush
		2. Check all pipes and inlet for blockages
2. Temperature regulation failure	2a. Pressures not balanced and cold overriding hot	2a. Increase hot water pressure or reduce cold, but maintain minimum pressure for mixer
	2b. Hot and cold supplies are reversed	2b. Change connections
	2c. Thermostatic cartridge clogged	2c. Remove the thermostatic cartridge, soak it in vinegar for a few hours and then rinse it with clean water and reseal in shower valve
3. Dripping continually after closure	3a. Debris in the shower valve	3a. Remove the diverter cartridge from housing, wash thoroughly with clean water and reseal in shower valve
4. Mixer shuts down during showering	4a. Safety shut off, cold water failure	4a. Check cold water supply is on and not blocked



# Maintenance

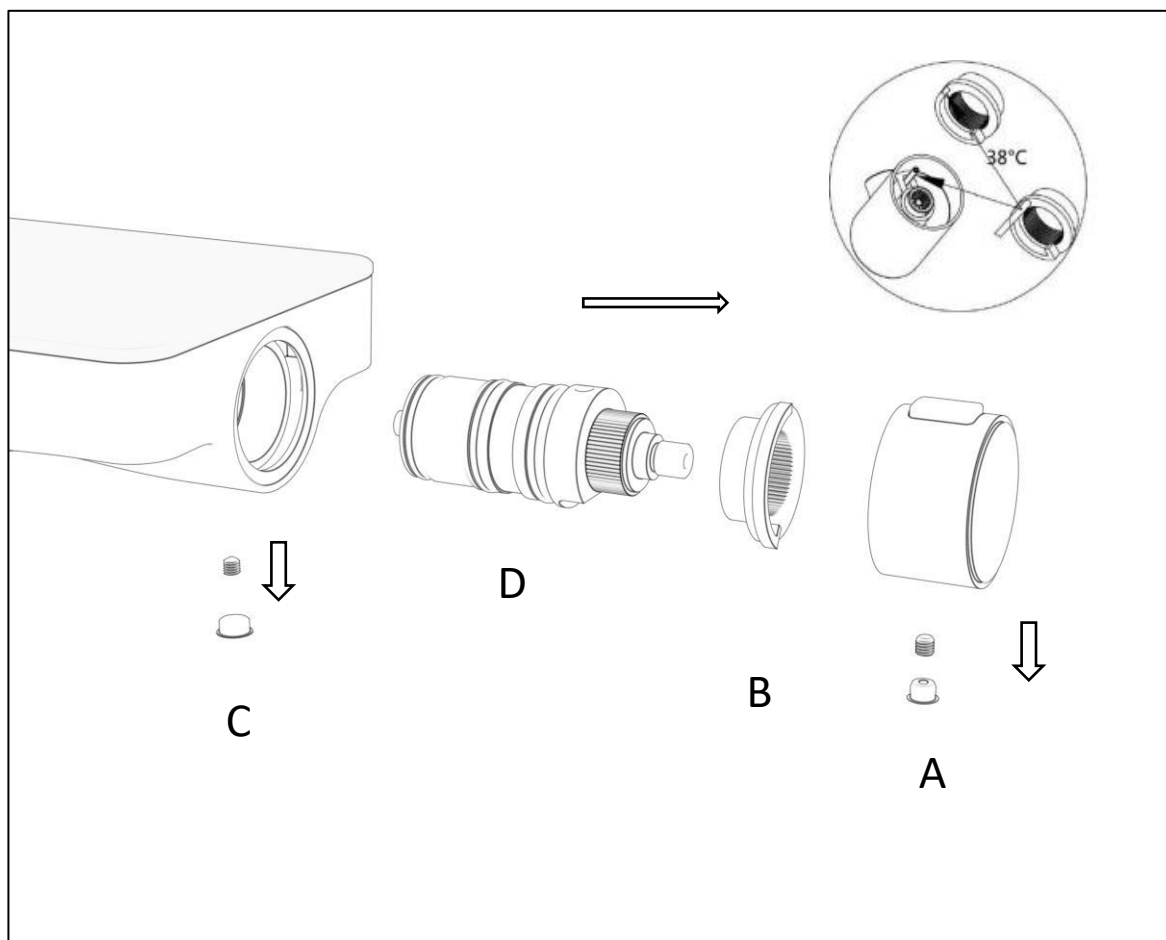
## Replace the thermostatic cartridge

Please turn off the water supply and turn the mixer on, to allow water to drain from the mixer body before replacement.

Loose the grub screw by allen key and then take out the handle (A).

Remove the positioning ring (B), loose the grub screw (C) and take out the thermostatic cartridge (D). Clean the cartridge or replace it with anew one.

Install the thermostatic cartridge by reverse steps. Take note the red marking on the thermostatic cartridge, should keep align with the marking on positioning ring, and positioning rod in the handle.

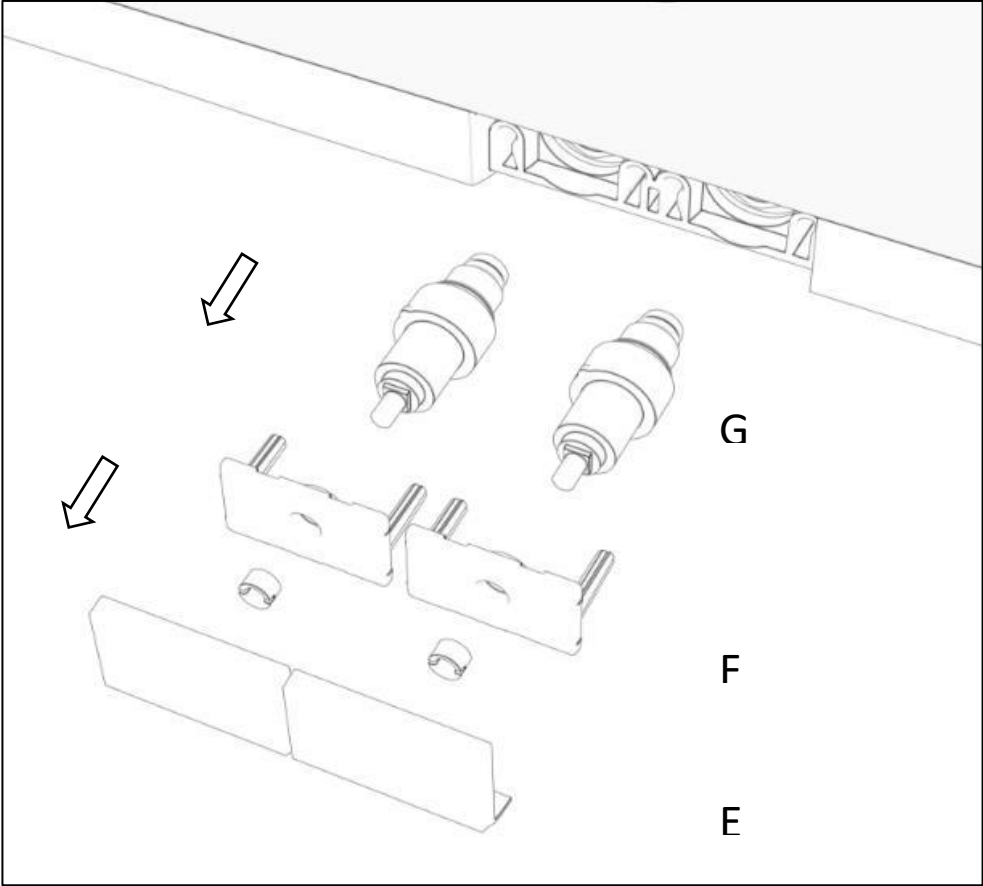


# Replace the diverter cartridge

Take out the button cover ( E ) by hand and remove the plastic plate by screwdriver ( F) .

Use the adjustable wrench to disassembly the diverter cartridge ( G) .

Clean the cartridge or replace it with a new one. Install the diverter cartridge by reverse steps.



# Cleaning

- Clean the product surface with a soft cloth and a mild detergent or citric acid solution. The use of any rough materials, as well as corrosive or abrasive cleaning agents, is not recommended as they may cause damage to the coating.

## ***For more information***

- visit [betterbathrooms.com](http://betterbathrooms.com)
- email [customerservices@buyitdirect.co.uk](mailto:customerservices@buyitdirect.co.uk)
- call 0330 390 3062
- write to Trident Business Park, Neptune Way, Huddersfield, HD2 1UA

**better**   
**bathrooms**

Part of the BuyItDirect Group